



Bell Hydromatics

Fixed Displacement Vane Pumps

Double Pumps

IVP(Q)32



IVP(Q)32 DoublePumps Max. Continuous Pressures

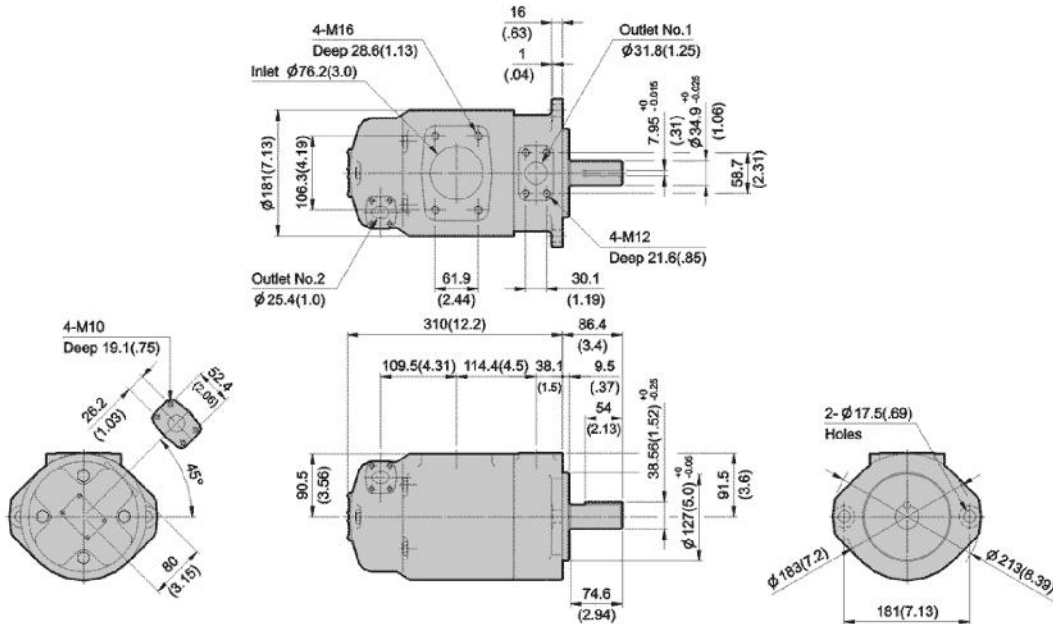
Model	Shaft end Pump (No.1 Outlet)			Cover end Pump (No.2 Outlet)			Max. Speed rpm	Min. Speed rpm
	Code	Geometric Displacement cm ³ /r	Max. Pressure bar	Code	Geometric Displacement cm ³ /r	Max. Pressure bar		
IVP(Q)31	17	53.3	♣172 F3 = 69 F11 = 157	10	32.5	♣172 F3 = 69 F11 = 157	1800 F3 = 1200 F11 = 1500	600
		66.7						
	25	79.2		12	38.3			
	30	95.0		14	43.3			
	32	100						
	35	109						
	38	118		15	46.7			
	42	134						

◆ Rated capacity in USgpm at 1200 rpm and 6.9 bar.

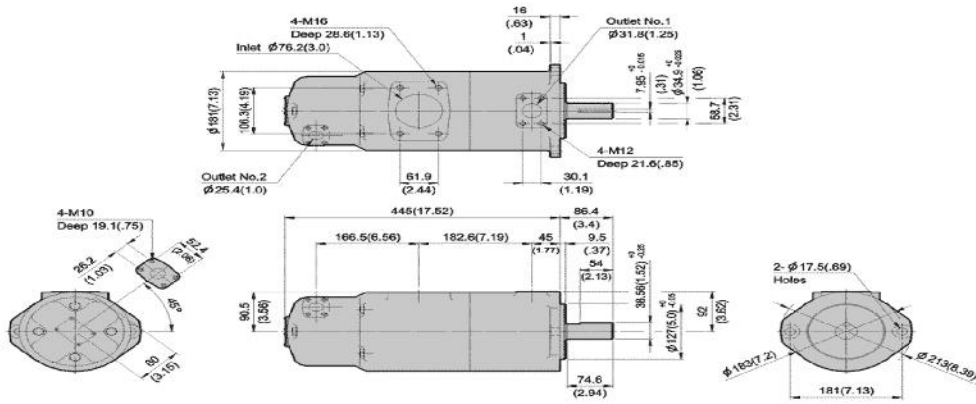
♣ Transient (peak) pressure 10% over the max. continuous pressure rating for 0.5 seconds or less duration is allowed.

Dimensions

IVP32 Double Pumps: Flange Mounting

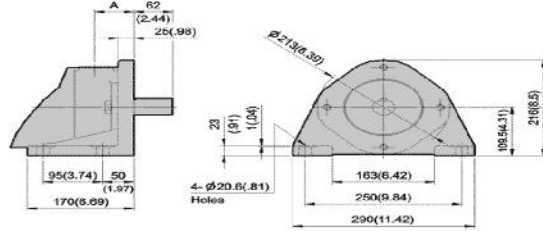


IVPQ32 Double Pumps: Flange Mounting



IVP(Q)32 Double Pumps: Foot Mounting

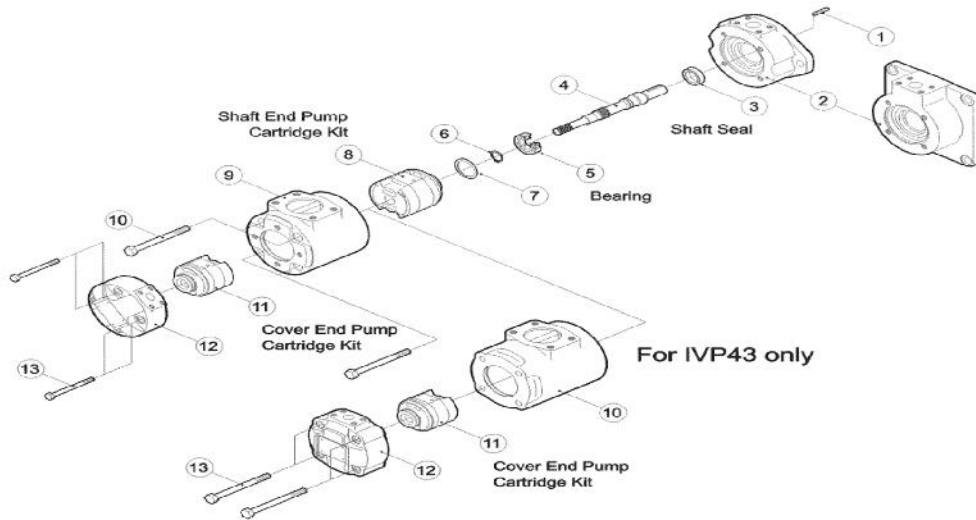
MODEL	DIMENSION A
IVP32	63(2.48)
IVPQ32	70(2.76)



For other dimensions, refer to "Flange Mounting" type

Assembly

IVP32 Double Pumps – Assembly



IVPQ32 Double Pumps – Assembly

